

VARIABLE-FREQUENCY PRESSURE PUMP STAINLESS STEEL

309VFF4-40 • 309VFF4-60 • 309VFF8-40



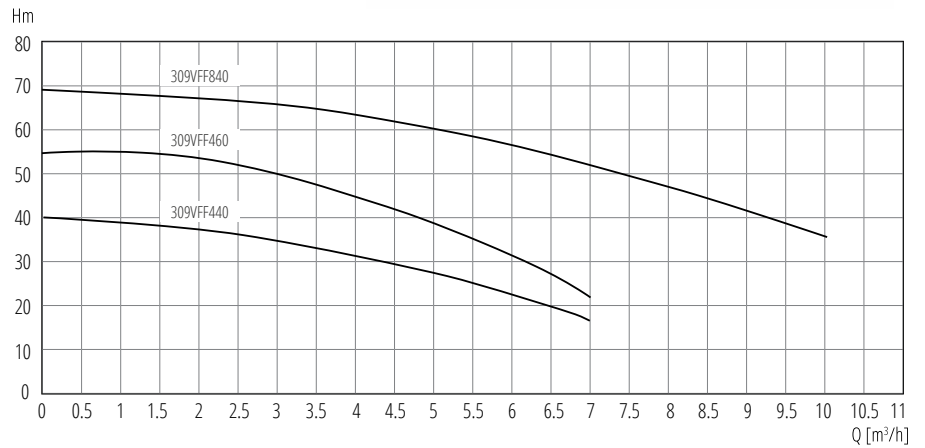
APPLICATION

The VFF variable frequency constant pressure water supply system adopts the latest combination of VVF (Variable Voltage and Variable Frequency) AC variable frequency speed control technology and pressure sensing technology. The real-time pressure value and the set pressure value, the speed of the motor can be automatically adjust to keep the outlet pressure unchanged. It is suitable for all kinds of water plants, pressure stations, hotels, residential areas and other high-rise buildings.



OPERATING CONDITIONS

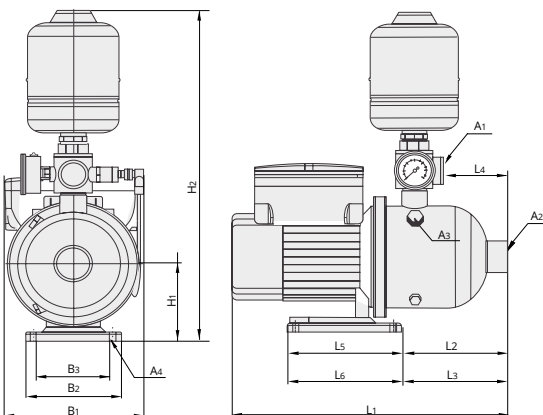
- High efficiency and energy saving, compared with the traditional water supply method, the variable frequency provides constant pressure and water supply which can save up to 30% - 60% electrical usage.
- Compact unit, low investment and high efficiency.
- Reasonable operation, due to the decrease of the average speed and average torque limiting wear on the shaft, which will greatly improve the lifetime of the pump.
- The pump can achieve soft start and soft stop, this can eliminate the water hammer effect. The water hammer effect is usually caused by the starting and stopping of a pump, the kinetic energy of the liquid increases slightly, resulting in an impact on the hydraulic network, often resulting to damage or burst pipes.
- Installation is convenient, replacing a water tower, high water tank and traditional air pressure tank water pump.



MOTOR

- All the overflow parts are stainless steel (304), which ensures the quality of water.
- Built-in Inverter, pressure tank, pressure sensor, pump and motor.
- No maintenance, pressure tank with poly prop lining.
- Protection level: IP65

TYPE	RATED POWER (kW)	RATED FLOW (m³/h)	RATED HEAD (m)									
			2.0	3.0	4.0	5.0	6.0	7.0	8.0	9.0	10	
309VFF4-40	0.75		36	33	30	26	20	13	-	-	-	
309VFF4-60	1.1		53	50	45	40	33	24	-	-	-	
309VFF8-40	2.2		-	-	65	57.5	57	50	48	42	34	



TYPE	DIMENSIONS mm															
	A1	A2	A3	A4	B1	B2	B3	H1	H2	L1	L2	L3	L4	L5	L6	
309VFF4-40	G1	G1¼	G¾	9	189	130	108	110	473	400	160	149	84	138	160	
309VFF4-60	G1	G1¼	G¾	9	189	130	108	110	473	400	160	149	84	138	160	
309VFF8-40	G1½	G1½	G¾	9	210	130	108	120	580	459	179	168	89	138	160	