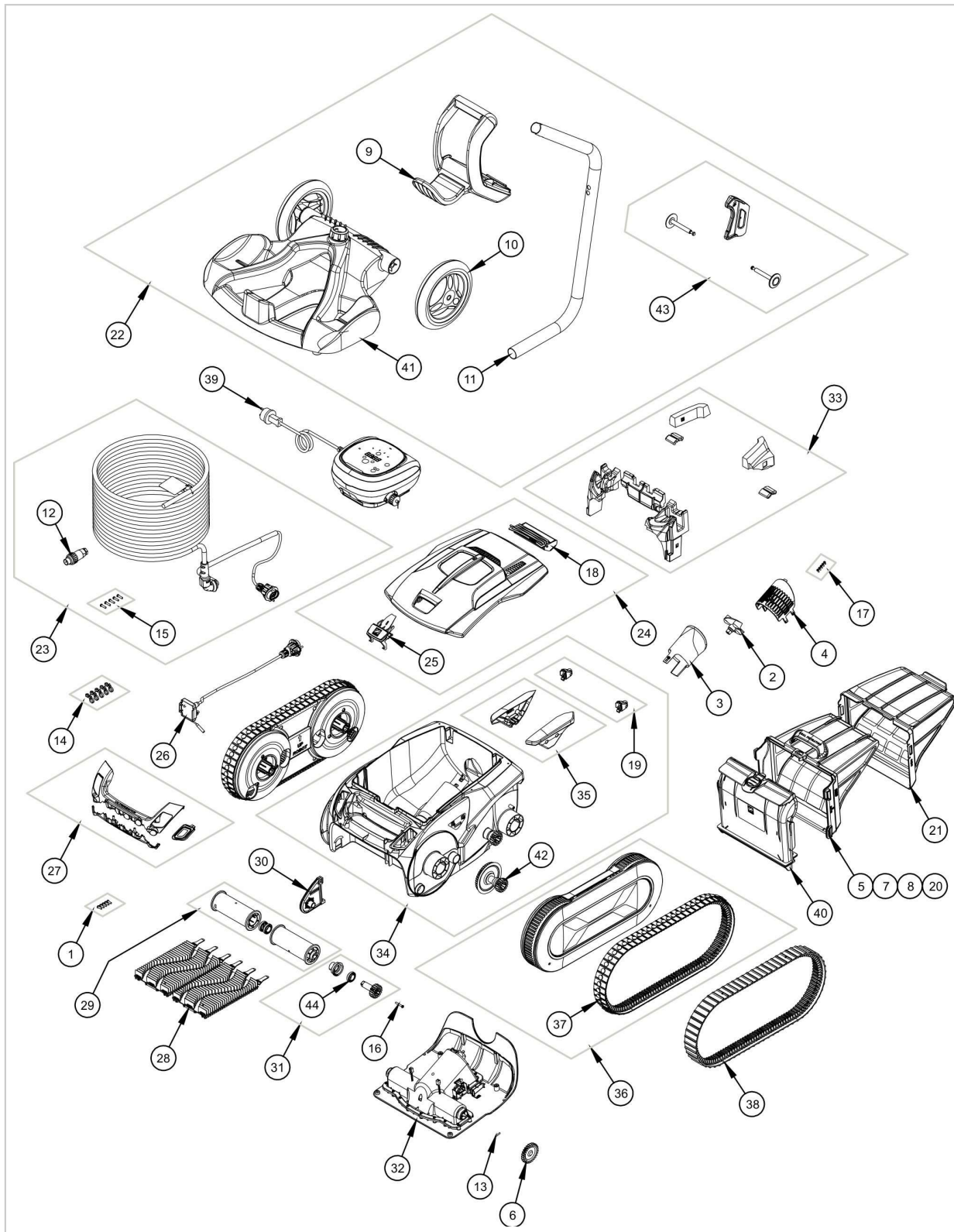




WR000414 - TRX 7700 IQ

Revision no.: 3 | Date: 18-02-2025



 Piezas del despiece (kits o unitarios)

POS.	CÓDIGO	DESCRIPCIÓN
1	R0516700	SCREWS 4*12 MM (X5)
2	R0517000	PROPELLER

POS.	CÓDIGO	DESCRIPCIÓN
3	R0517500	FLOW OUTLET
4	R0517600	MOTOR SCREEN
5	R0517800	FILTER SAND/SILT CANISTER GP
6	R0518800	DRIVE GEAR (SET OF 2)
7	R0535800	ULTRA FINE SAND/SILT CANISTER GP
8	R0535900	GENERAL PURPOSE CANISTER GP
9	R0565000	TROLLEY HANDLE
10	R0565100	TROLLEY WHEELS (*2)
11	R0565200	TROLLEY TUBE
12	R0565600	FLOATING CABLE PLUG
13	R0567800	MOTOR BLOCK SHAFT PIN (SET OF 5)
14	R0567900	FLOATING CABLE CLAMP (SET OF 5)
15	R0608500	SCREW 4*16MM (set of 5)
16	R0638900	SCREW 4*25 MM (SET OF 5)
17	R0639200	SCREW 2.9*9.5 MM (SET OF 5)
18	R0863200	REAR FLOAT ASSEMBLY
19	R0864900	ROLLER, 2PK
20	R0913300	FILTER 150µ - DUAL
21	R0913400	OVER FILTER 60µ - DUAL
22	R0962200	TROLLY KIT VORTRAX
23	R0962300	FLOATING CABLE 30M
24	R0962400	COMPLETE COVER VORTRAX ZODIAC
25	R0962500	COVER LATCH BLACK VORTRAX
26	R0962600	SENSORS KIT VORTRAX
27	R0962700	ULTRASONIC HANDLE SENSOR VORTRAX
28	R0962800	ZZ BRUSH GREY VORTRAX

POS.	CÓDIGO	DESCRIPCIÓN
29	R0962900	BRUSH SUPPORT WITH BALL BEARING (*2)
30	R0963000	INTERMEDIATE PLATE BALL BEARING GREY
31	R0963100	17 GEAR BALL BEARING (*2)
32	R0963200	MOTOR BLOCK VORTRAX TYPE 4
33	R0963300	FLOATS ULTRASONIC MODELS VORTRAX
34	R0963400	MAIN HOUSING ULTRASONIC
35	R0963500	BODY SIDE ADD-ON VORTRAX
36	R0963600	COMPLETE TRACK GEARBOX VORTRAX (*2)
37	R0963700	TRACK SLIPPERY POOLS VORTRAX (*2)
38	R0963800	TRACK ADHERENT POOLS VORTRAX (*2)
39	R0964000	CONTROL BOX TYPE 7 EU
40	R0964100	INLET CHANNEL VORTRAX
41	R0968400	TROLLEY BASE VORTRAX
42	R1022200	TRANSMISSION 4 UT
43	R1077200	CADDY ACCESSORIES WITHOUT CLIP
44	W79034	BEARING (WHEEL & ENGINE) 4 UT

© 2024 Fluidra. All rights reserved. All trademarks and trade names used in this document are the property of their respective owners | [Privacy Policy](#) | [Disclaimer](#) | [Cookies](#) | [Quality management](#)